

## RAINBOW SPOT

### TECHNICAL SPECIFICATIONS

Description: Adjustable spot fixture; inner glass white, outer glass dichroic coating  
Design: Bruck-Team  
Lamp: 50W bi-pin: GY6.35

### CONTENTS OF DELIVERY

fixture - qty. 1



### IMPORTANT SAFETY INSTRUCTIONS

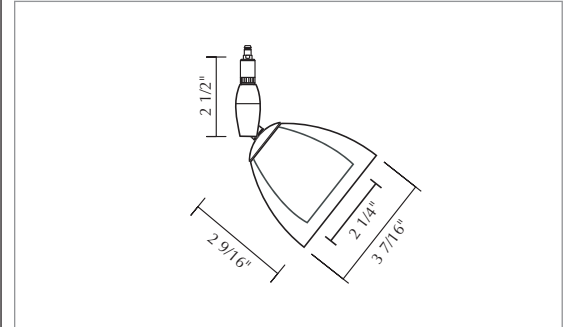


1. Save these instructions and refer to them when additions to or changes to the fixture are made.
2. THIS PRODUCT MUST BE INSTALLED BY A PERSON FAMILIAR WITH THE CONSTRUCTION AND OPERATION OF THE PRODUCT AND THE HAZARDS INVOLVED, IN ACCORDANCE WITH THE APPLICABLE NEC CODE.
3. Do not install this fixture in damp or wet locations.
4. CAUTION - Do not install any fixture assembly closer than 6 inches from any curtain, or similar combustible material.
5. Turn off power prior to any work on the systems.
6. Total wattage of the fixture must never exceed the wattage supplied by the low voltage electronic transformer. Please check that the total lamp wattage does not exceed 50W or wattage specified by fixture.
7. Secondary connections must be clean and tight to avoid arcing and overheating!
8. Warranty is void in case of unauthorized modifications and/ or improper use.

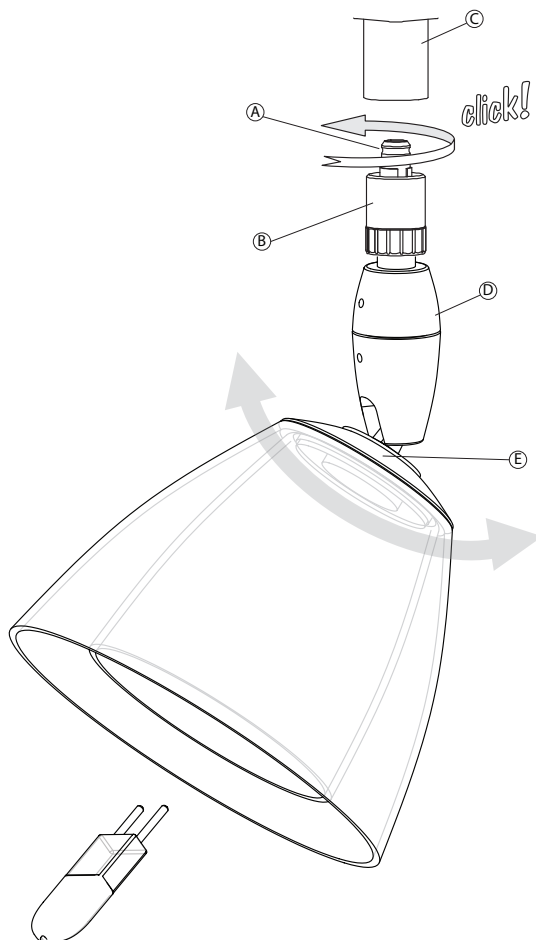
**READ ALL OF THESE INSTRUCTIONS BEFORE INSTALLATION**

### PART NUMBERS

220 335mc matte chrome  
220 335ch chrome



## INSTALLATION INSTRUCTIONS



### INSTALLATION

- Insert the bi-pin lamp into the socket as far as it will go. Make sure the pin spacing and wattage are correct for your fixture.

- Mount the fixture to the canopy or adaptor by plugging in the Uni-Plug (A). The Uni-Plug will 'click' when properly inserted. Turn the retaining collar (B) to complete the installation (see diagram). DO NOT loosen the adaptor receptacle (C). Tighten the receptacle by turning in a clockwise direction.

### ADJUSTING THE FIXTURE HEAD

- The swivel joint that connects the fixture head to the stem is designed to hold firmly in place. To adjust the Rainbow Spot hold the upper part of the stem (D) and tilt with the base (E) of the fixture head. Avoid using the bottom of the glass to adjust the fixture head; excess pressure may cause the glass to crack.